

New BlueCool C-Series

Chiller air-conditioning systems



Chiller systems are suitable for boats with several cabins. Whenever three or more independent areas in a yacht need to be air-conditioned, a central chiller system is the right choice. The chiller unit is typically placed in the engine room, providing chilled water/glycol to all cabins via the chilled water circuit. One or several air handlers are fitted in each cabin providing the required cooling capacities to the rooms. The system offers one control for the unit itself as well as separate panels for each cabin.

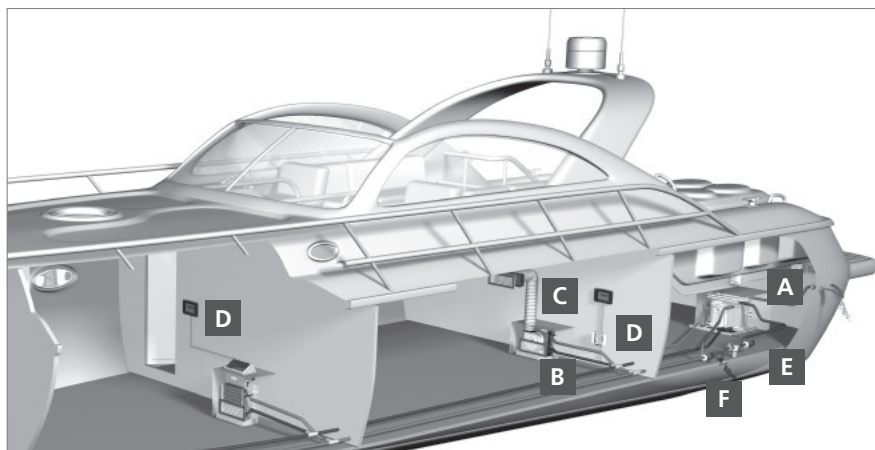
Optional vibration dampers as well as soft start devices allow further optimization of the application.

The new BlueCool C-Series:

- Improved performance and up to 15 % higher efficiency
- Continuous cooling capacity even in tropical conditions
- Even more compact design
- New improved electronics for easy installation and diagnosis via USB cable
- Optional CAN-Bus for optimized adaptation to boat systems
- Compressor noise is reduced by up to 25 %
- Easy sea water and chilled water connections at one side
- Strong stainless steel tray and condensate drain
- Cooling and heating via reverse cycle function as a standard
- High quality epoxy paint protection

NEW

Installation example:



- A** Cooling unit in the engine room
- B** Fan-type air handler
- C** Cold-air outlets
- D** Controls – simple and logical to use
- E** Circulating pump
- F** Sea water cooling circuit

Technical specifications:

Model	BlueCool C-Series							
	C16 M	C20 M	C27 M	C32 T	C40 T	C55 T	C81 R	C108 Q
Cooling capacity (BTU/h)*	16,000	20,000	27,000	32,000	40,000	55,000	81,000	108,000
Cooling capacity (kW)	4.7	5.9	7.9	9.4	11.7	16.1	23.7	31.7
Number of compressors	1	1	1	2	2	2	3	4
Supply voltage (V)	230	230	230	230	230	230	230	230
Current draw running (A)**	4.4 – 6.0	6.9 – 8.0	8.6 – 9.2	8.8 – 12.0	13.8 – 16.0	17.2 – 18.4	25.8 – 27.6	34.4 – 36.8
Net weight (kg)	30	30	40	77	80	90	140	175
Dimension L x D x H (mm/inch)	385 x 290 x 350 15.2 x 11.4 x 13.8	440 x 320 x 365 17.3 x 12.6 x 14.4	440 x 340 x 400 17.3 x 13.4 x 15.7	530 x 400 x 490 20.9 x 15.7 x 19.3	530 x 400 x 490 20.9 x 15.7 x 19.3	530 x 400 x 550 20.9 x 15.7 x 21.7	750 x 420 x 550 29.5 x 16.5 x 21.7	530 x 800 x 550 20.9 x 31.5 x 21.7

* BTU/h are based on 7°C evaporating temperature and 38°C condensing temperature

** Amperage values depend on compressor load. Max values at tropical conditions stated for 230 V/50 H

Control element:



Digital control